

**SEA-DOO®**



THE MOST  
WATER FUN **EVER**

A black and white photograph of a SEA-DOO inflatable boat on a body of water. Several people are visible inside the boat, and the SEA-DOO logo is printed on the side. The boat is partially inflated and appears to be in use.

# INFLATABLE FOR 4 TO 8-PERSON INFLATABLE PRODUCTS USER MANUAL & SAFETY INSTRUCTIONS

- IMPORTANT INFORMATION INSIDE  
Read this User Manual carefully  
before using your SEA-DOO® Inflatable product
- Also for information on warranty, customer service,  
maintenance, parts & battery purchases

# This manual is designed for a range of inflatable models, with or without an MP3 music speaker system.

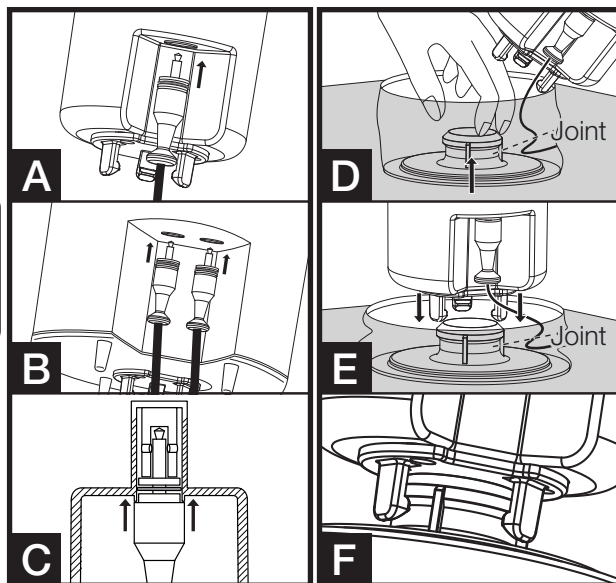
## QUICK START INSTRUCTIONS

1. CAREFULLY read this manual and follow all instructions.
2. Unfold the product and spread out FLAT onto grassy or sandy area with NO sharp objects.

For products with an MP3 music speaker system option, please follow Step 3. For products with NO MP3 music speaker system option, please jump to Step 8.

3. DO NOT inflate at this point, GENTLY pull out the connector plugs and plug them into the Speakers and Battery Box (Fig. A & Fig. B) and make sure the plugs are in COMPLETE CONTACT (Fig. C).
4. GENTLY pull out the Joint for the Speakers and Battery Box from the inflatable base to a visible position. (Fig. D)
5. Install the Speakers and Battery Box into the product, making sure to insert them the RIGHT WAY UP and CLEAR all wires and inflatable bladders off the joint area. (Fig. E)
6. MAKE SURE the tabs on the bottom of the Speakers and Battery Box are clasped on to the joint securely. (Fig. F) (DO NOT twist the Speakers and Battery Box after installation)
7. Install the Battery and MP3 Player (Refer to "Using the speaker device"), and test the Speakers before inflating the product.
8. GENTLY inflate the chambers in the recommended sequence (Refer to Inflation Sequence table to the right).
9. To inflate the main chamber of this product, the following type of pumps are recommended:
  - a) SEA-DOO® Dual Action Pump
  - b) SEA-DOO® Electric Pump
  - c) Bellows style foot pump

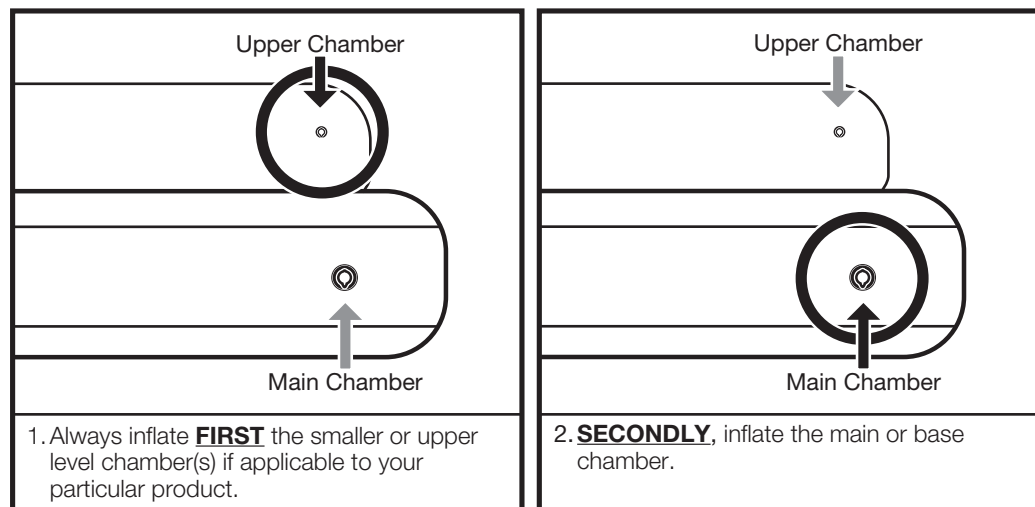
The SEA-DOO® Dual Action Pump and SEA-DOO® Electric Pump can be purchased online separately, please go to [www.seadooinflatable.com](http://www.seadooinflatable.com) for more information.



11. Fill anchor bag with SAND ONLY.
12. Attach one end of the anchor bag rope (2.4 m or 8 1/3 feet) to the Anchor Bag by threading the rope through holes on bag and tying a double knot at the end of rope. Thread the other end of the anchor bag rope to the inflatable product through the eyelets attached to the product. If ropes are attached to anchor bag correctly, the weight of the sand will cinch the anchor bag closed. This will ensure that no sand escapes from bag while in the water. Verify before each usage if anchor weight is sufficient for the number of users.
13. Measure the exact length between the eyelet on the product and anchor bag placed at the bottom of the lake (Use a longer rope (NOT INCLUDED) if the depth of the lake is over 2.4 m (8 1/3 feet). Your rope needs to be adjusted in order for the product to be well anchored in the lake. Firmly tie the end of rope to the eyelet on the product to ensure anchor stays attached to the product.

## INFLATION SEQUENCE TABLE

Inflate the chambers in following sequence:



**Please make sure NOT to over inflate this product. The inflatable unit should be FULL, but NOT TOO FIRM. During the daytime or under hot temperatures, the air inside the product can heat up and expand causing an increase in pressure and a possible rupture. To avoid rupture on the product, air pressure can be released by letting out small amounts of air through the valves. BE SURE there are no people on the product during inflation and deflation.**

## Safety warning labels:

While assembling this product, take a few moments to read the warning labels for Safety Instructions.

10. Close all valves COMPLETELY.

# USER MANUAL AND SAFETY INSTRUCTIONS

This product is constructed using the highest grade material standards. It has been designed to provide hours of fun for you, your family and friends. To increase your enjoyment and reduce your risks, use common sense and follow the rules and guidelines indicated in this manual. Disregarding any of the safety precautions and instructions contained in the User Manual and Safety Instructions and on the Product Warning Labels could cause injury, including the possibility of death. This manual contains pertinent information which, if followed, will provide you with the necessary knowledge to help you fully enjoy the water fun this product provides. Some rules may be new to you while others may be common sense or obvious. We ask you to please take a few minutes of your time to read these safety instructions carefully and completely before using this product.

## **WARNING**

### **Use of this product and participation in the sport involves inherent risks of injury or death.**

- Read the User Manual CAREFULLY before using this product.
- USE AT YOUR OWN RISK.
- INSPECT THE UNIT BEFORE AND AFTER EACH USE.
- This is NOT a towable tube, NEVER tow from any vehicle. This product should ONLY be pulled by hand with NO passengers to reach a desired location on the water.
- This is NOT a lifesaving device.
- NOT to be used by children under the age of eight (8).
- USE ONLY under competent supervision. NEVER leave children unattended while in use.
- DO NOT use alcohol or mind-altering drugs prior to or while using this product.
- This product is NOT to be used in water by non-swimmers without wearing a Life Vest (personal floatation device-PFD) approved by your local authorities (U.S. Coast Guard Type III vest in the US or Canadian Coast Guard approved life vest in Canada or SAI Approval PFD in Australia or CE Approved PFD in Europe).
- ONLY use in a pool or in calm water and close to shore away from boats and other hazards.
- ALWAYS inspect the swimming area to ensure it is free of hazards or obstacles such as boats and swimmers before using this product.
- DO NOT use in open waters, high winds, rapid current, dangerous tides, in waves, wakes or in bad weather conditions as it may not allow you to come back to shore.
- NEVER allow diving into this product.
- DO NOT use at night or in low light situations.
- NEVER leave in or near water when not in use.
- DO NOT stand or kneel on this product, IN PARTICULAR DO NOT stand, kneel or sit on backrests/arm rests. Use ONLY in the sitting or reclined position.
- DO NOT use this item as a baby or pet float.
- DO NOT use this item as a fishing vessel.
- DO NOT turn this product up side down while in use.
- Use the anchor AT ALL TIMES.
- DO NOT use this product if it is damaged or leaking air. Product is subject to age, wear and deterioration from use and weather conditions.
- DO NOT over inflate or use high pressure pump to inflate. This product MUST be inflated on land.
- DO NOT drag the product on ground. Lift and carry the product to the water with a recommended minimum of four people.
- DO NOT swim underneath this unit.
- ALWAYS stay awake and aware when using this product.
- DO NOT use this unit when it is under-inflated. The risks involved with this could include entrapment which may result in death or serious injury.
- Fill with cold air only and make sure the product is properly inflated with the air valve closed tightly.
- DO NOT exceed the manufacturers recommended person capacity for your particular product. ALWAYS refer to the product packaging for recommended person capacity. Refer to the table below for recommended person capacity and the corresponding recommended maximum weight the particular product is designed for:

## **WARNING**

NUMBER OF OCCUPANTS	CORRESPONDING MAXIMUM DESIGNED WEIGHT
Four (4)	705 lb (319 kg)
Six (6)	1060 lb (480 kg)
Eight (8)	1320 lb (598 kg)

- DO NOT dispose of batteries in fire, batteries may explode or leak

## **IN ADDITION TO THE WARNINGS, PLEASE FOLLOW THE GUIDELINES LISTED BELOW IN ORDER TO ENJOY THIS PRODUCT SAFELY.**

### **Before you start**

- CAREFULLY read this User Manual and follow all instructions.
- This product is designed to be used in pools, calm waters away from boats and other hazards. NOT designed for indoors, or flat outdoor land surfaces such as beaches and patios.
- This product is for recreational activity, reckless use or misuse may result in serious injury or death.
- NEVER use this product in rough surface water conditions, during a storm, or when there is lightning. If an unexpected storm arises while using this product, seek shelter or shore. DO NOT stay on this product.
- Visually inspect the product before each use. If the product is torn, leaking, or damaged in any way, DO NOT use. Contact your local Customer Service Centre / distributor for prompt parts replacement.
- This product is NOT for use by children under 8 years of age.
- USE ONLY under competent supervision. DO NOT leave children unattended while in use.
- NEVER swim or play under this product.
- DO NOT stand or sit on backrests/arm rests or they will rupture.
- Ask about local water conditions BEFORE using this product in unfamiliar waters.
- MAKE SURE all non-swimmers are wearing an approved life vest at all times when using this product.
- DO NOT use alcohol or mind-altering drugs prior to or while using this product.
- Be aware of appropriate water levels, tidal changes, dangerous currents, weather changes and strong offshore winds. ALWAYS scout unfamiliar waters.
- ALWAYS keep this product out of direct sunlight when not in use.
- Please disassemble, properly pack into the box/carry bag and store in a cool, dry place while not in use.
- DO NOT store in garage or outdoor during the Fall/Winter season.
- Monitor and adjust bladder pressure on warm days and under direct sunlight.

### **Using the Dual Action Pump or Electric Pump (Pump is not included with this purchase)**

- ALWAYS read the User Manual packaged with the pump prior to use.
- DO NOT over inflate.
- KEEP CHECKING the inflatable product while inflating.
- The Dual Action Pump will pump air in the same direction on both up and down strokes of the pump handle. To inflate, simply connect the hose to the attachment point marked "Inflate" on the pump. To deflate, connect hose to the attachment point marked "Deflate".
- Keep Electric Pump AWAY from water when in use.
- DO NOT leave Electric Pump close to another heat source or exposed to direct sunlight for long periods of time.

### **Maintenance of this product**

1. After use, clean debris from this product by spraying it with FRESH CLEAN WATER. This is especially important if it has been used in salt water, or in an area where this product has been exposed to gasoline or oil.
2. After cleaning, ALLOW the product time to dry completely.
3. Deflate the product.
4. Store this product deflated, in a COOL, DRY AREA.

#### ***Important note:***

- NEVER use harsh detergents or chemicals to clean the product. Use ONLY mild dish-washing soap.

### **Repairing the Inflatable**

Even though this product is made of durable PVC, punctures may occur. A repair kit is included to help patch the product.

1. Locate the puncture and begin by removing the inner bladder from the nylon cover where applicable. This can be done by inflating the inflatable product and looking for air bubbles.
2. Deflate the inflatable product.
3. Clean area thoroughly where repair is to be made. Make sure it is completely clean and dry.
4. Flatten the surface around the punctured area.
5. Cut patch material to size.
6. Use only enough liquid cement to wet the back to repair area.
7. Press tightly to repair area and let it dry.
8. Do not inflate for 12 hours.

- Inflate the inflatable and check that there is NO air leakage before use.
- Reinsert the bladder into nylon cover if applicable.

**Important note:**

- If you notice the product is slowly deflating by itself, check FIRST that the valve and cap are on and sealed tight.
- If applicable, ALWAYS keep your repair kit inside the Battery Box. Otherwise have the repair kit stored in a convenient location.

**Using MP3 Music Speaker System (If applicable)**

1. ALWAYS clean and dry your hands when storing or removing your MP3 player.
2. Turn the Battery Box cover counter-clockwise to unscrew and open, then remove the Storage Tray. (Fig. G)
3. Locate and unplug the red/black cables and take out the Battery Compartment Case. (Fig. H)
5. Install eight (8) 1.5V AA alkaline batteries (sold separately) into the Battery Compartment Case according to the polarity (+/-) indicated. (Fig. I)
6. Connect the Battery Compartment Case and place it back into the Battery box. (Fig. J)
7. Put the Music System Cable through the hole on the bottom of the Storage Tray, and replace the Storage Tray into the battery box. (Fig. K)
8. Connect the Music System Plug inside the clear, waterproof pouch to your MP3 player and seal the bag, then connect the plug outside the waterproof pouch to the Music System Cable. (Fig. L)
9. Turn on your MP3 player and put it into the Storage Tray, for larger size MP3 Players, do not use the Storage Tray.
10. Replace and tightly screw the Battery Box Cover back on the Battery Box.

**Important note:**

- ALWAYS put your MP3 player inside the clear, waterproof bag before connecting the speaker device.
- ALWAYS clean and dry your hands when storing or taking out your MP3 player.
- MAKE SURE the Battery Box cover is screwed on tight and completely sealed.
- ALWAYS remove the batteries from the battery compartment while not in use.
- NEVER use rechargeable (Nickel-Cadmium) batteries.
- DO NOT mix old and new batteries or batteries of different types.
- DO NOT mix alkaline and standard (Carbon-Zinc) or rechargeable (Nickel-Cadmium) batteries.
- ALWAYS replace all batteries AT ONCE.

**Technical Specifications**

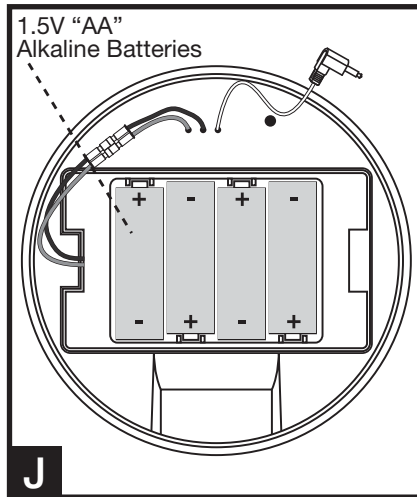
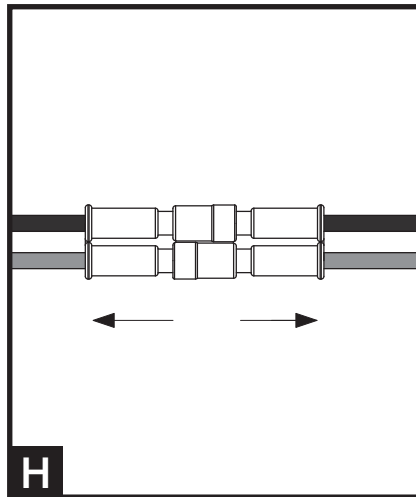
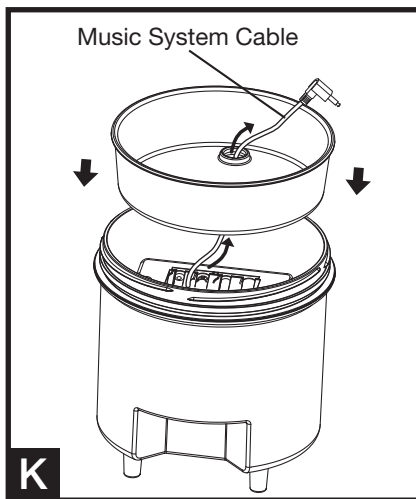
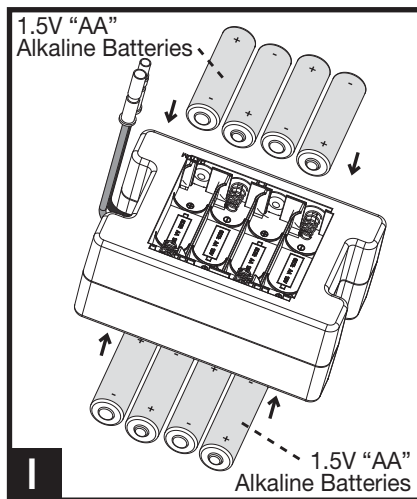
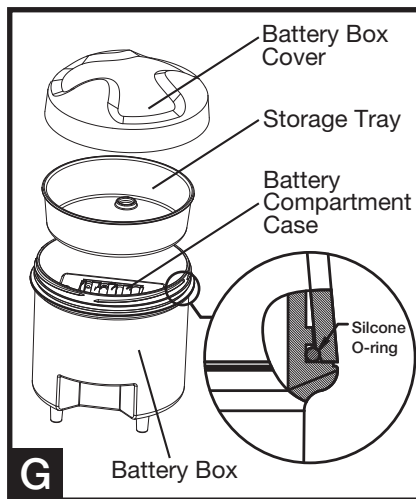
Battery Type: 8 x 1.5V "AA" Alkaline batteries (sold separately)

Battery Life: Approximately 9 Hours (for 2 speakers- MP3 music speaker system with alkaline batteries)  
 Approximately 8 Hours (for 4 speakers- MP3 music speaker system with alkaline batteries)

**Purchasing parts and optional Rechargeable Lead Acid Battery and Charger Kit**

Optional Rechargeable Lead Acid Battery and Charger Kit (Fig. M) can be purchased online separately or order through your local Customer Service Center/distributor.

**For more information on other SEA-DOO® Inflatable Products and also the information shown in this manual, PLEASE VISIT [www.seadooinflatable.com](http://www.seadooinflatable.com)**



# WARRANTY

**Distributors ONLY warrant products with an active Warranty Registration**

**ALWAYS ACTIVATE YOUR WARRANTY IMMEDIATELY ON  
[www.seadooinflatable.com/warranty.html](http://www.seadooinflatable.com/warranty.html)**

Distributors in the United States and Canada provide a standard Limited Warranty for 90 days from the date of purchase for new products. If you are not located in the United States or Canada, please contact your local distributor for warranty arrangements in your territory. Please visit [www.seadooinflatable.com](http://www.seadooinflatable.com) for Distributor / Customer Service Center details. Distributors ONLY warrant the products purchased from an authorized distributor or authorized dealer.

Ask your Local Distributor for the warranty period in your region by calling their Customer Service Center. Any part of the product supplied by the Distributor and found in the reasonable judgment of the Distributor to be defective in material or workmanship will be repaired or replaced by the Distributor without charge for parts or labour. The defective part must be sent to the Distributor / Customer Service Center within the warranty period. The customer is responsible for the cost of delivering the product to the Distributor / Customer Service Center. The Distributor will pay for the expense of returning the product to the customer.

This product is warranted to the original retail purchaser to be free from defects in materials and workmanship except as otherwise provided herein. These warranties are NOT TRANSFERABLE and are effective from the date of original retail purchase. Authorized dealers do not have authority to make any warranties in addition to or inconsistent with the terms of condition set forth in this warranty.

All implied warranties are limited in the duration to the warranty period. And such implied warranties including merchantability, fitness for a particular purpose, or otherwise, are disclaimed in their entirety after the expiration of the appropriate warranty period. The distributor's obligation under the warranty is strictly and exclusively limited to the repair or replacement of defective parts and return of the product to the customer. The distributor does not assume or authorize anyone to assume for them any other obligation.

The distributor assumes no responsibility for incidental, consequential or other damages including, but not limited to expense of returning the product to the distributor, loss of use of product and loss of time or inconvenience.

## CUSTOMER INQUIRIES

Please refer to your User Manual before contacting your Local Distributor / Customer Service Center. For any damage or repair work required, please do not return your product to the store where it was purchased.

## WHAT IS COVERED

- During the 90 days, the Distributor / Customer Service Center will, at its option, repair or replace defective parts or components, including labour and cost of shipment to the consumer.

## WHAT IS NOT COVERED

- Cost of shipment to Distributor / Customer Service Center.
- Normal wear and tear, including scratches and fading.
- Damage caused by alterations, modifications or changes not approved by Distributor / Customer Service Center due to unauthorized service and / or due to abuse, improper use, neglect or failure to perform normal maintenance (See instructions in this manual)

- Damage caused by extended exposure to sun, striking solid objects or beaches, over inflation and tears or punctures of this product and failure to follow instruction provided in this manual.
- Consequential damages, incidental damages or expenses, including damages to property. Some States do not allow the exclusion or limitation of incidental or consequential damages, so the above limitation or exclusion may not apply to you.

**THIS PRODUCT IS DESIGNED AND INTENDED FOR PERSONAL RECREATIONAL USE ONLY!  
THIS PRODUCT IS NOT WARRANTED FOR COMMERCIAL OR RENTAL USE!**

## WARRANTY REPAIR POLICY

### RETURN / REPAIR PROCEDURE

1. Customers MUST complete a claim form and send it to their local Distributor / Customer Service Center to request a return/repair authorization number.
2. Go to "[www.stallionsport.com/claim/](http://www.stallionsport.com/claim/)" and download the claim form for your territory and get in touch with a local Distributor / Customer Service Center representative.
3. Complete the claim form and return it to your local Distributor / Customer Service Center by using the email address on the claim form.
4. ONLY pack and return individual components specifically requested by your Local Distributor / Customer Service Center.
5. MUST include a copy of your claim form, proof of purchase (receipt) and the Return/Repair Authorization Number inside the box.
6. Ship the package to your Local Distributor / Customer Service Center

**PLEASE NOTE:** Deliveries that do not have the documentation mentioned in Procedure Point 5 will not be accepted by your Local Distributor / Customer Service Center.

**For any questions or queries you may have regarding your SEA-DOO® Inflatable, please follow the steps listed below for easy and fast resolution:**

- STEP 1- Please read your User Manual. For a copy of the User Manual, please visit [www.seadooinflatable.com/manual.html](http://www.seadooinflatable.com/manual.html)
- STEP 2- Go to our FAQ section <http://www.seadooinflatable.com/faq.html> for instant answers.
- STEP 3- Go to [www.seadooinflatable.com/customer\\_service.html](http://www.seadooinflatable.com/customer_service.html) for Local Distributor / Customer Service Center contact details.



[www.stallionsport.com](http://www.stallionsport.com)



SEA-DOO® and the BRP logo are trademarks of Bombardier Recreational Products Inc. or its affiliates, used under license to Stallion Sport Ltd. For more information on SEA-DOO® products, visit: [www.sea-doo.com](http://www.sea-doo.com)

Designed and manufactured by **Stallion sport** LTD.  
Block F, 6/F, Wah Hing Industrial Mansions  
36 Tai Yau Street, San Po Kong, Kowloon, Hong Kong  
[www.stallionsport.com](http://www.stallionsport.com)  
please visit our website at [www.seadooinflatable.com](http://www.seadooinflatable.com)  
to find out your Local Distributor